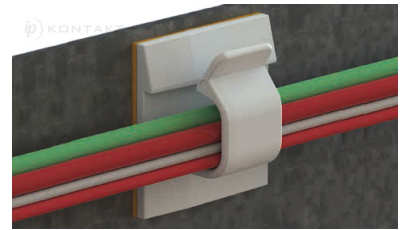
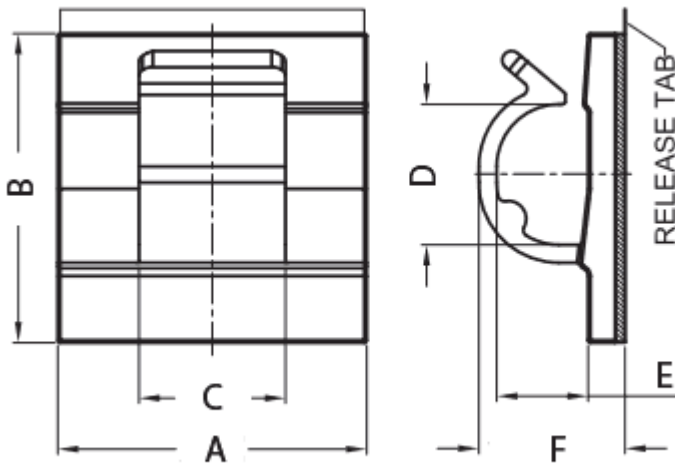


**GE-ACH - Adhesive cable holders**



Details:

- **Material: Nylon 66**
- **Flammability: UL94 V-2**
- **Colour: natural**

Symbol	A	B	C	D	E	F	Material	Flammability	Color
	[mm]	[mm]	[mm]	[mm]	[mm]	[mm]			
GE-ACH-9	25.1	25.1	11.9	11.4	7.1	11.7	PA 66	UL94 V-2	natural