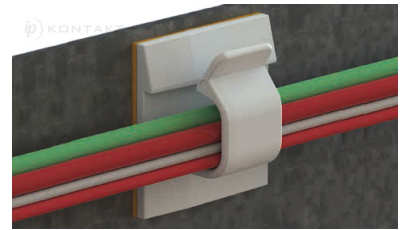
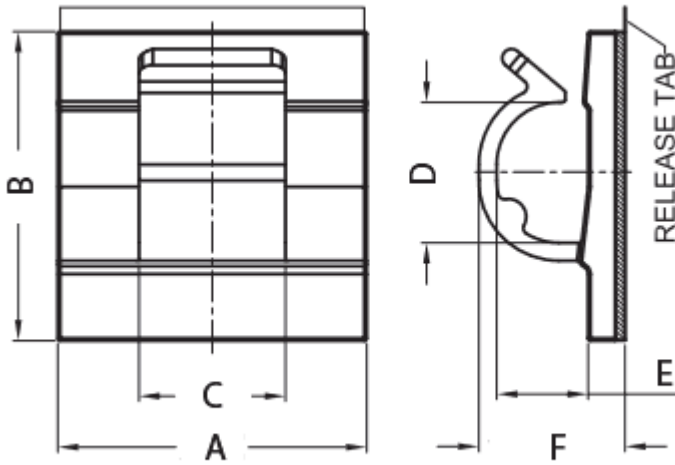


GE-ACH - Adhesive cable holders



Details:

- **Material: Nylon 66**
- **Flammability: UL94 V-2**
- **Colour: natural**

Symbol	A	B	C	D	E	F	Material	Flammability	Color
	[mm]	[mm]	[mm]	[mm]	[mm]	[mm]			
GE-ACH-6	19	19	9.7	12.5	8.1	11	PA 66	UL94 V-2	natural