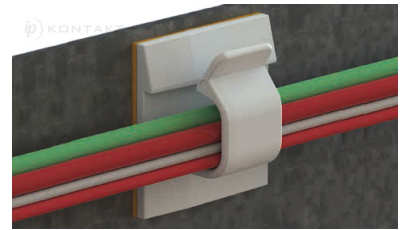
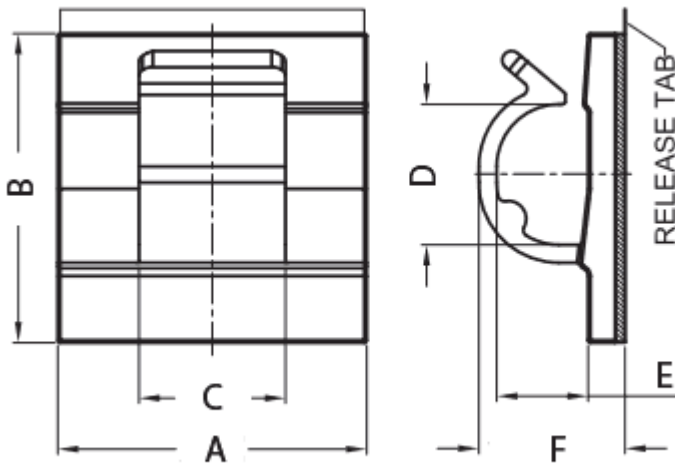


GE-ACH - Adhesive cable holders



Details:

- **Material: Nylon 66**
- **Flammability: UL94 V-2**
- **Colour: natural**

Symbol	A	B	C	D	E	F	Material	Flammability	Color
	[mm]	[mm]	[mm]	[mm]	[mm]	[mm]			
GE-ACH-4	16	14.4	7.1	8.2	5.2	8.8	PA 66	UL94 V-2	natural