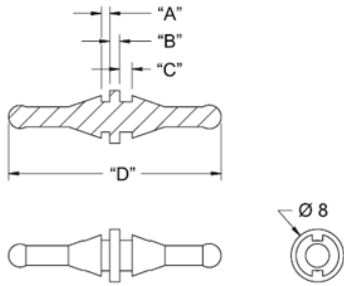
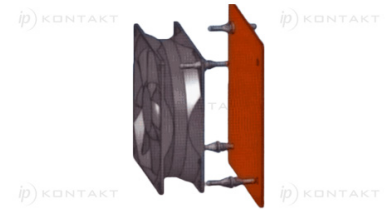
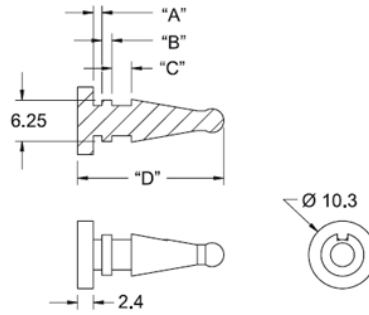


## FM - Fan Mounts

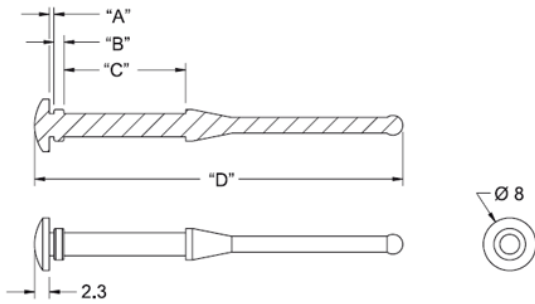
**Fig. 1**



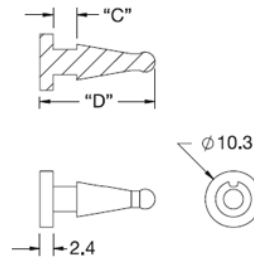
**Fig. 2**



**Fig. 3**



**Fig. 4**



**Details:**

- **Material:** see table
- **Color:** black
- **Standard Pack:** 1000 pcs

Symbol	A	B	C	D	Mounting hole diameter	Fan thickness	Panel thickness range	Fig.	Material	Color
	[mm]	[mm]	[mm]	[mm]	[mm]	[mm]	[mm]			
FM-9	-	-	4.3	21	5	5.4 *	-	4	EPDM, 40 Shore A	black

\* - Maximum combined panel and fan thickness