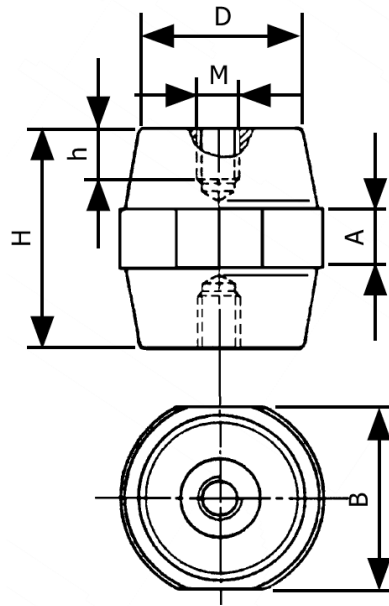


E-LVI - Low voltage insulators



Details:

- **Body material: polyester and glass fibre**
- **Thread material: brass**
- Test voltage: 5 kV
- Rated voltage: 1000 V
- In accordance with: PN-E-91062-1

Symbol	A	Wrench size B	D	Int. thread length h	Height H	Int. thread	Tensile strength	Flexural strength	Recommended max. tightening torque	Recommended max. rail width	Standard pack
	[mm]	[mm]	[mm]	[mm]	[mm]		[daN]	[daN]	[Nm]	[mm]	[szt./pcs]
E-LVI-098-M6	9.8	33	26	6	30	M6	245	200	3	30	20