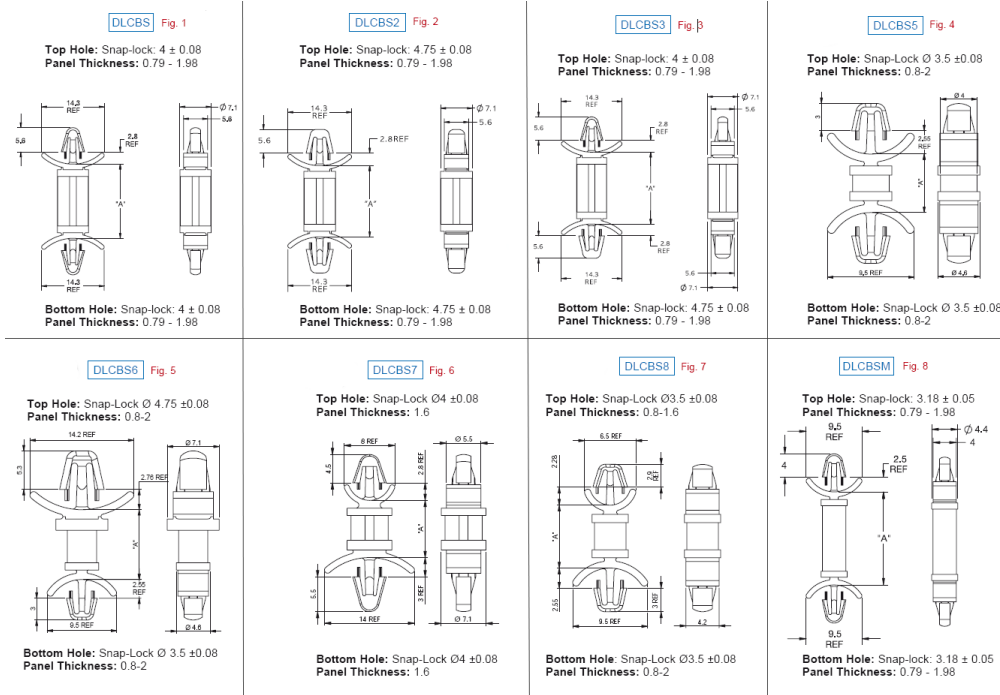


DLCBS - Nylon Dual Locking Circuit Board Support



Details:

- **Material:** Nylon 6/6, UL 94 V-2, RMS-01*
- **Material:** Nylon 6/6, UL 94 V-0, RMS-19*
- **Color:** natural
- Standard pack: 1000 pcs

Symbol	Height A	Top mounting hole dia. ± 0.08	Top panel thickness range	Bottom mounting hole dia. ± 0.08	Bottom panel thickness range	Material	Flammability	Color
	[mm]	[mm]	[mm]	[mm]	[mm]			
DLCBSM-3-19	4.8	3.18	0.79 - 1.98	3.18	0.79 - 1.98	PA 66	UL94 V-0	natural