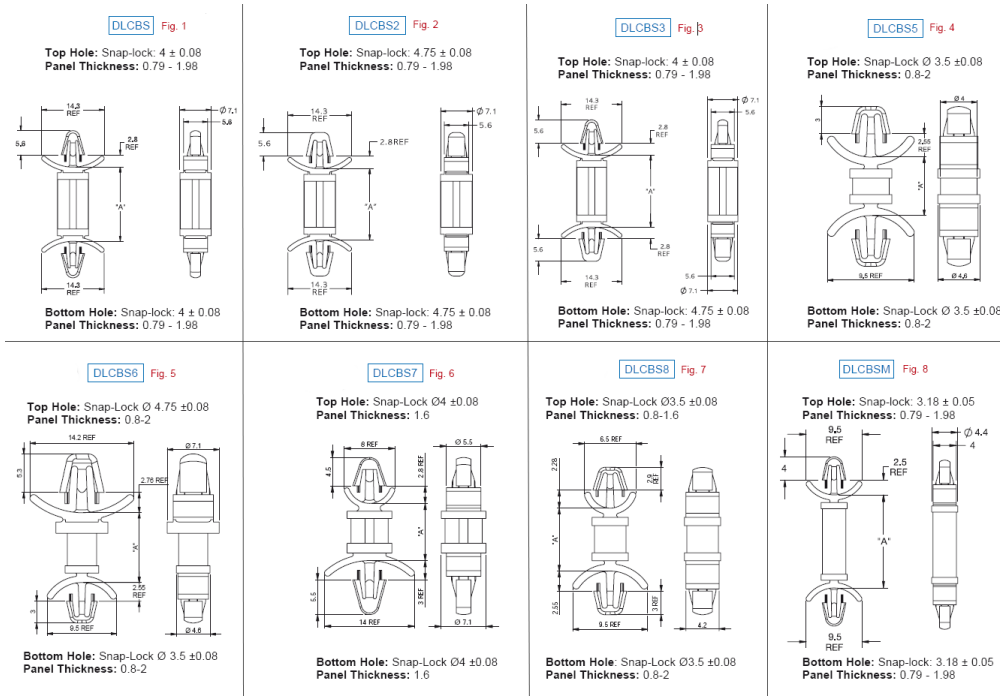


DLCBS - Nylon Dual Locking Circuit Board Support



Details:

- **Material:** Nylon 6/6, UL 94 V-2, RMS-01*
- **Material:** Nylon 6/6, UL 94 V-0, RMS-19*
- **Color:** natural
- Standard pack: 1000 pcs

| Symbol | Height A | Top mounting hole dia. ± 0.08 | Top panel thickness range | Bottom mounting hole dia. ± 0.08 | Bottom panel thickness range | Material | Flammability | Color |
|-------------|----------|-----------------------------------|---------------------------|--------------------------------------|------------------------------|----------|--------------|---------|
| | [mm] | [mm] | [mm] | [mm] | [mm] | | | |
| DLCBS7-4-19 | 6.4 | 4 | 1.6 | 4 | 1.6 | PA 66 | UL94 V-0 | natural |