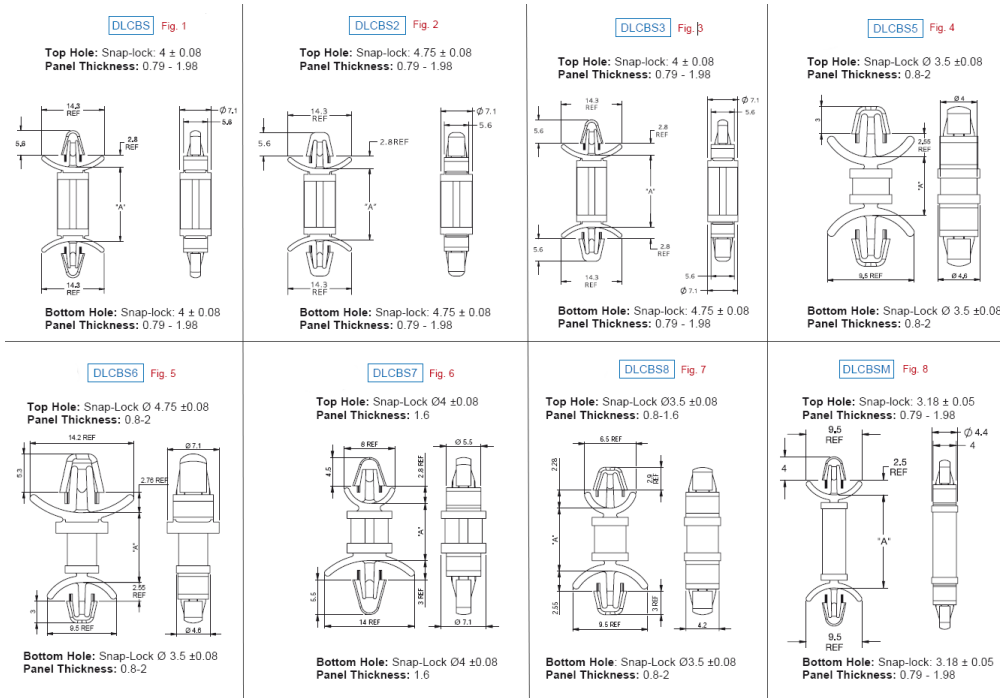


## DLCBS - Nylon Dual Locking Circuit Board Support



### Details:

- **Material:** Nylon 6/6, UL 94 V-2, RMS-01\*
- **Material:** Nylon 6/6, UL 94 V-0, RMS-19\*
- **Color:** natural
- Standard pack: 1000 pcs

Symbol	Height A	Top mounting hole dia. $\pm 0.08$	Top panel thickness range	Bottom mounting hole dia. $\pm 0.08$	Bottom panel thickness range	Material	Flammability	Color
	[mm]	[mm]	[mm]	[mm]	[mm]			
DLCBS6-7-01	11.1	4.75	0.8 - 2	3.5	0.8 - 2	PA 66	UL94 V-2	natural