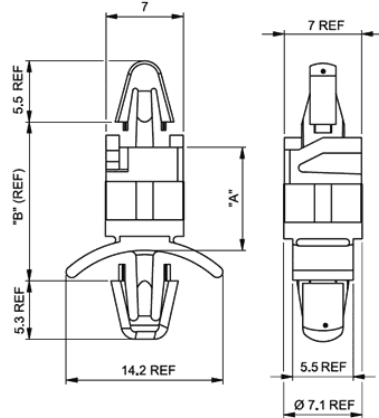


## DLCBS4 - Dual Locking Circuit Board Support

Top Hole: Snap-Lock  $\varnothing 4.0 \pm 0.08$   
 Panel Thickness: 1.3-2



Bottom Hole: Snap-Lock  $\varnothing 4.75 \pm 0.08$   
 Panel Thickness: 0.8-2

### Details:

- **Material:** UL94 V-2 Nylon 6/6, RMS-01\*
- **Material:** UL94 V-0 Nylon 6/6, RMS-19\*
- **Color:** Natural
- **Standard Pack:** 1000/Bag
- **Top Hole:**
  - Snap-Lock  $\varnothing 4.0 \pm 0.08$
  - Panel Thickness: 1.3-2
- **Bottom Hole:**
  - Snap-Lock  $\varnothing 4.75 \pm 0.08$
  - Panel Thickness: 0.8-2

Symbol	Height A	B	Top mounting hole dia. $\pm 0.08$	Top panel thickness range	Bottom mounting hole dia. $\pm 0.08$	Bottom panel thickness range	Material	Flammability	Color
	[mm]								
DLCBS4-4-19	6.1	11.4	4	1.3 - 2.0	4.75	0.8 - 2.0	PA 66	UL94 V-0	natural