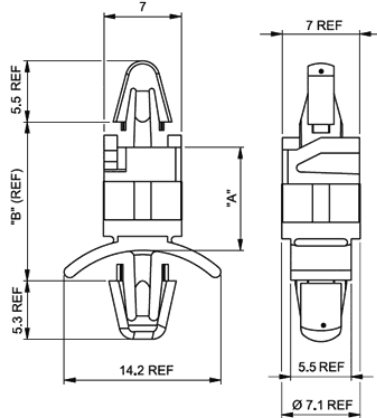


DLCBS4 - Dual Locking Circuit Board Support

Top Hole: Snap-Lock $\varnothing 4.0 \pm 0.08$
 Panel Thickness: 1.3-2



Bottom Hole: Snap-Lock $\varnothing 4.75 \pm 0.08$
 Panel Thickness: 0.8-2

Details:

- **Material:** UL94 V-2 Nylon 6/6, RMS-01*
- **Material:** UL94 V-0 Nylon 6/6, RMS-19*
- **Color:** Natural
- **Standard Pack:** 1000/Bag
- **Top Hole:**
 - **Snap-Lock $\varnothing 4.0 \pm 0.08$**
 - **Panel Thickness: 1.3-2**
- **Bottom Hole:**
 - **Snap-Lock $\varnothing 4.75 \pm 0.08$**
 - **Panel Thickness: 0.8-2**

Symbol	Height A	B	Top mounting hole dia. ± 0.08	Top panel thickness range	Bottom mounting hole dia. ± 0.08	Bottom panel thickness range	Material	Flammability	Color
	[mm]	[mm]	[mm]	[mm]	[mm]	[mm]			
DLCBS4-10-01	21.9	27.2	4	1.3 - 2.0	4.75	0.8 - 2.0	PA 66	UL94 V-2	natural