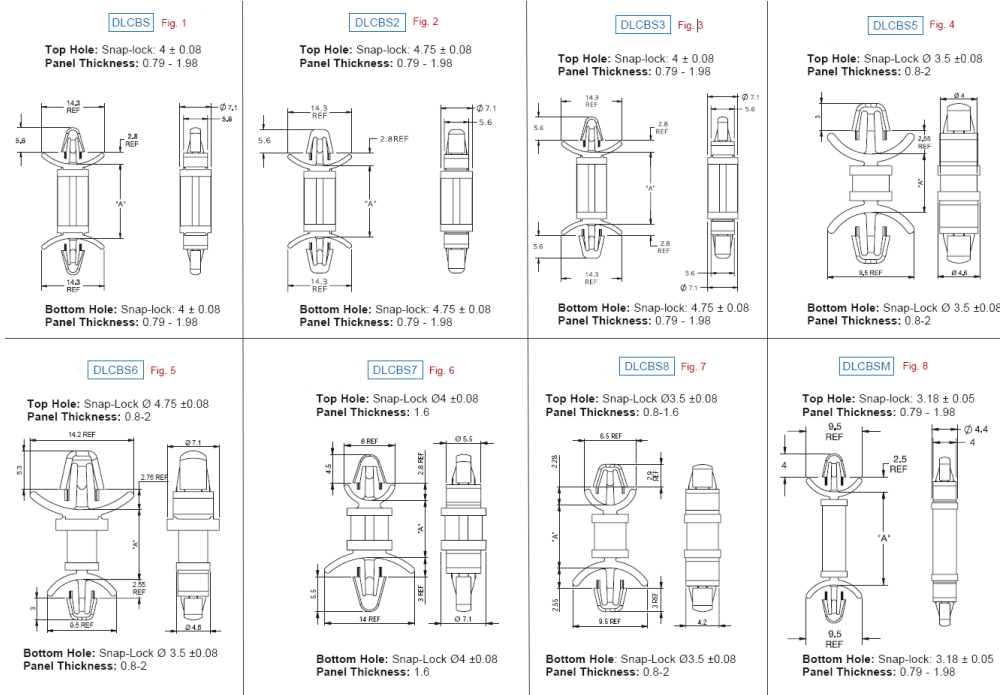


## DLCBS - Nylon Dual Locking Circuit Board Support



**Details:**

- **Material: Nylon 6/6, UL 94 V-2, RMS-01\***
- **Material: Nylon 6/6, UL 94 V-0, RMS-19\***
- **Color: natural**
- **Standard pack: 1000 pcs**

| Symbol      | Height A | Top mounting hole dia. ±0.08 | Top panel thickness range | Bottom mounting hole dia. ±0.08 | Bottom panel thickness range | Material | Flammability | Color   |
|-------------|----------|------------------------------|---------------------------|---------------------------------|------------------------------|----------|--------------|---------|
|             | [mm]     | [mm]                         | [mm]                      | [mm]                            | [mm]                         |          |              |         |
| DLCBS3-8-19 | 12.7     | 4                            | 0.79 - 1.98               | 4.75                            | 0.79 - 1.98                  | PA 66    | UL94 V-0     | natural |