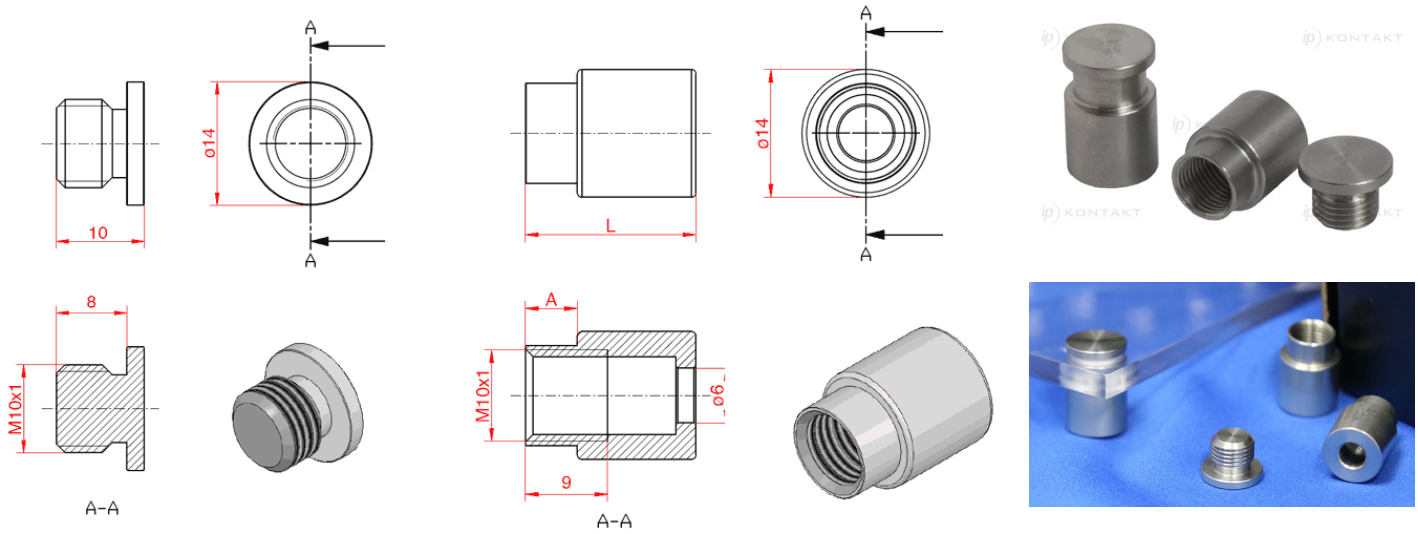


D-WR - Stainless steel - plate holder



Details:

- Material: Stainless steel DMS 400
- Designed to fit acrylic or glass panels
- Easy assembling
- Thread: M10x1
- Standard pack: 50 pcs

Symbol	Length L	A	Typ
	[mm]	[mm]	
D-WR-337-57	33.7	5.7	body