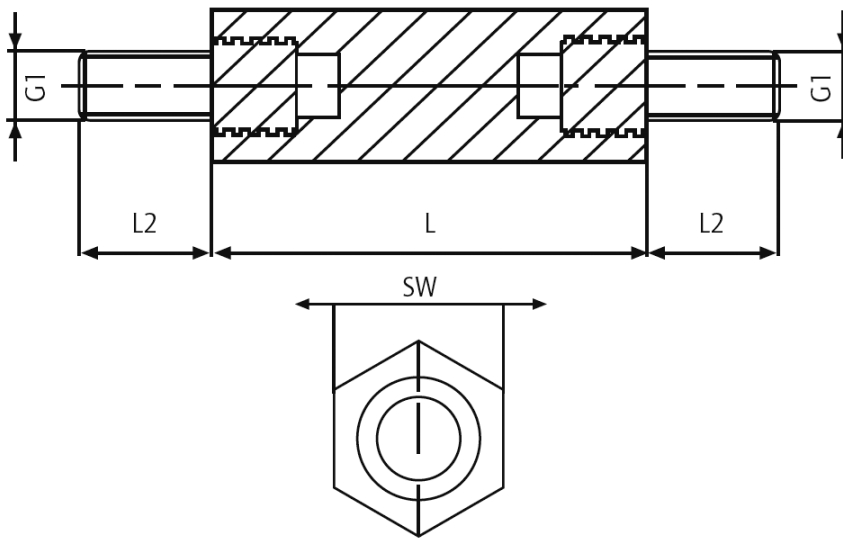


D-MS-3 - Polyamid hexagonal spacer bolt with brass thread



Details:

- **Body Material: Polyamide 6.6**
- **Color: white**
- **Thread inserts: brass (Nickel-plated on special order)**
- Fire rating: UL94 V-2
- Contact resistance DIN 53482: $>10^{12} \Omega/cm$
- Dielectric strength DIN 54481: 50kV/mm
- Length tolerance: $\pm 0.1mm$
- Pull-out force and torque values may vary depending on application and ambient influences like temperature, air humidity etc.

| Symbol | Ext. thread G1 | Wrench size SW | Length L | Ext. thread length L2 | Max. torque [Nm] | Pull out force [N] | Material |
|----------------|-------------------|-------------------|-------------|--------------------------|---------------------|-----------------------|--------------|
| | | [mm] | [mm] | [mm] | | | |
| D-MS-3-M4-8-29 | M4 | 8 | 29 | 8 | 3 | 600 | PA 66, brass |