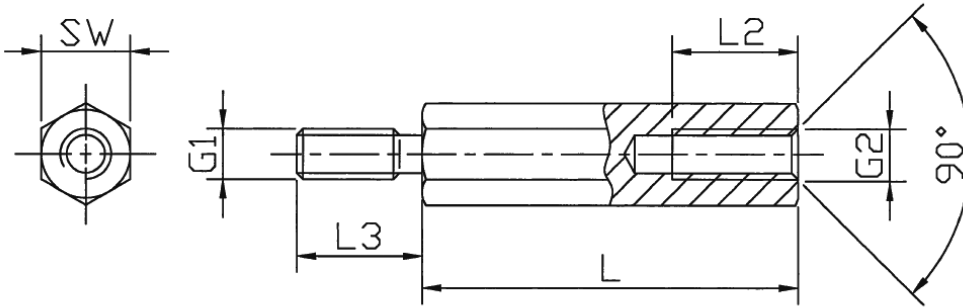


D-HT-2 - Polyamid hexagonal spacer bolt



Details:

- **Material: Polyamide 66, color: black**
- **Length tolerance: $\pm 0.1\text{mm}$**
- **Standard pack: 500 pcs**

Symbol	Height L	Int. thread G2	Int. thread length L2	Ext. thread G1	Ext. thread length L3	Wrench size SW	Material	Color
	[mm]		[mm]		[mm]			
D-HT-2-M3-M4-8-26-BK/8	26	M3	10	M4	8	8	PA 66	black