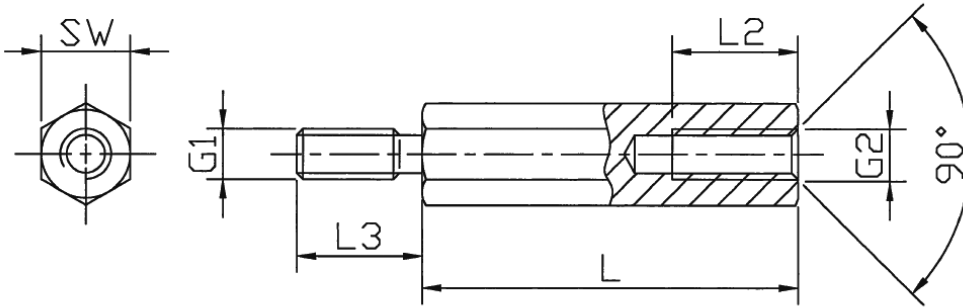


D-HT-2 - Polyamid hexagonal spacer bolt



Details:

- **Material: Polyamide 66, color: black**
- **Length tolerance: ± 0.1mm**
- **Standard pack: 500 pcs**

| Symbol | Height L | Int. thread G2 | Int. thread length L2 | Ext. thread G1 | Ext. thread length L3 | Wrench size SW | Material | Color |
|-----------------------|-------------|-------------------|--------------------------|-------------------|--------------------------|-------------------|----------|-------|
| | [mm] | | [mm] | | [mm] | | | |
| D-HT-2-M3-5.5-37-WH/6 | 37 | M3 | 10 | M3 | 6 | 5.5 | PA 66 | white |