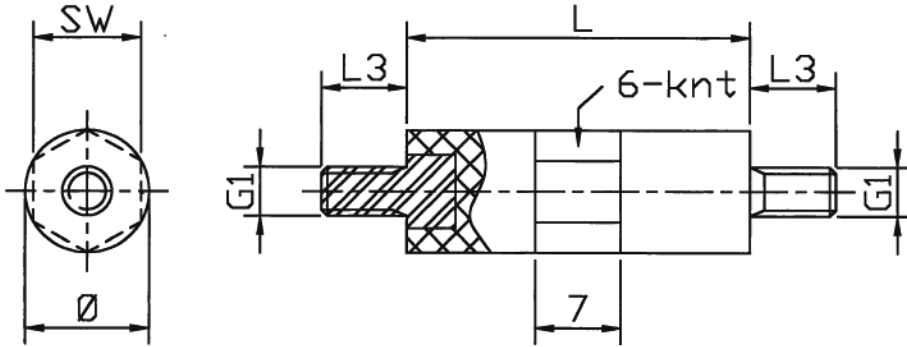


D-HSP-2 - Polystyrene spacer bolt with steel thread

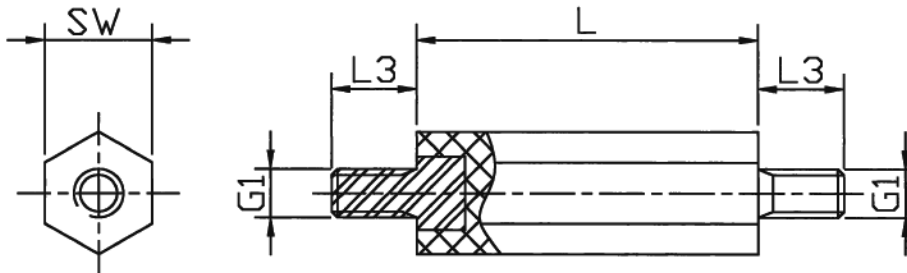
Typ: okrągły

Gwint: zewn. / zewn.



Typ: sześciokątny

Gwint: zewn. / zewn.



Details:

- Body: polystyrene, gray (other colors on special order)
- Threaded insert: galvanized steel
- Working temperature to: **90°C**
- Fire rating: **UL 94-V2**
- Contact resistance: **DIN 53482: $>10^{16} \Omega/cm$**
- Dielectric strength: **min. 5000V**
- **Length tolerance: $\pm 0.5mm$**

Symbol	Typ	Diameter \varnothing	Wrench size SW	Ext. thread G1	Ext. thread length L3	Length L	Material
		[mm]	[mm]		[mm]	[mm]	
D-HSP-2-M5-13-85	hexagonal	-	13	M5	7	85	PS, galvanized steel