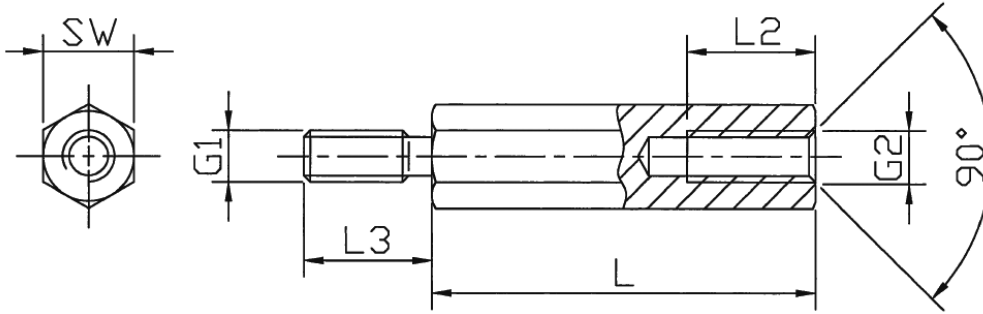


**D-HS-2 - Steel hexagon spacer**



Details:

- Stainless steel. Material complies with **EN DIN 10088: X8CrNiS18-9**
- Minimum tensile strength **750 N/mm<sup>2</sup>**
- Length tolerance **±0.1mm (DIN 2768-m applies to SW13)**
- Other lengths also available
- Standard pack: 100 pcs

Symbol	Wrench size SW	Ext. thread G1	Int. thread G2	Length L	Int. thread length L2	Ext. thread length L3	Material
	[mm]			[mm]	[mm]	[mm]	
D-HS-2-M3-5.5-70	5.5	M3	M3	70	7	6	stainless steel