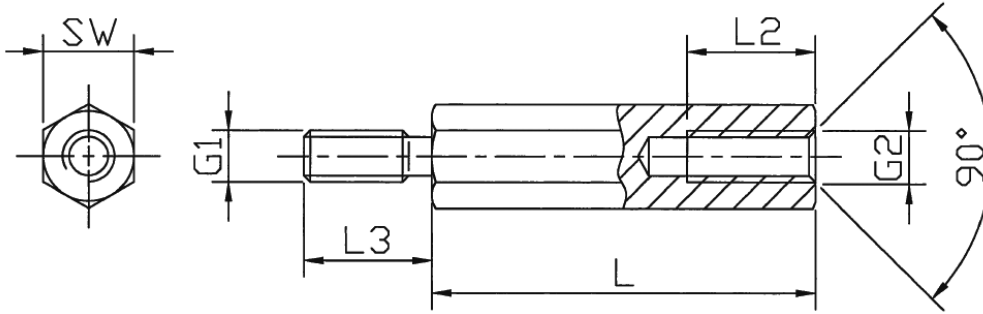


D-HM-2 - Steel hexagon spacer zinc plated



Details:

- Steel, zinc plated, Complies **DIN 176: 11 SMn Pb30**
- Minimum tensile strength **500 N/mm²**
- Surface finish according to **DIN 267: galvanised (A3 F)**
- **Length tolerance ±0.1mm (DIN 2768-m applies to SW13)**
- **Other lengths also available**
- **Standard pack: 100 pcs**

Symbol	Ext. thread G1	Int. thread G2	Wrench size SW	Length L	Int. thread length L2	Ext. thread length L3	Material
			[mm]	[mm]	[mm]	[mm]	
D-HM-2-M3-5.5-12	M3	M3	5.5	12	7	6	steel, zinc plated