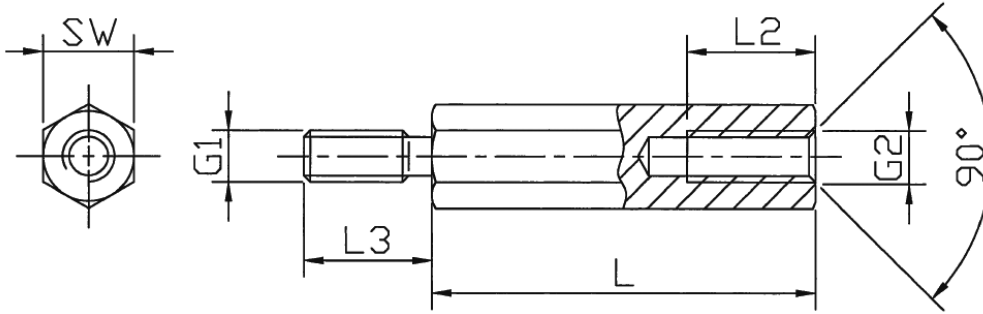


D-HM-2 - Steel hexagon spacer zinc plated



Details:

- Steel, zinc plated, Complies **DIN 176: 11 SMn Pb30**
- Minimum tensile strength **500 N/mm²**
- Surface finish according to **DIN 267: galvanised (A3 F)**
- **Length tolerance ±0.1mm (DIN 2768-m applies to SW13)**
- **Other lengths also available**
- **Standard pack: 100 pcs**

| Symbol | Ext. thread G1 | Int. thread G2 | Wrench size SW | Length L | Int. thread length L2 | Ext. thread length L3 | Material |
|----------------|-------------------|-------------------|-------------------|-------------|--------------------------|--------------------------|--------------------|
| | | | [mm] | [mm] | [mm] | [mm] | |
| D-HM-2-M2-4-35 | M2 | M2 | 4 | 35 | 6 | 5 | steel, zinc plated |