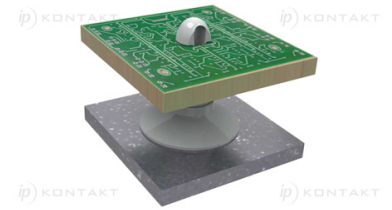
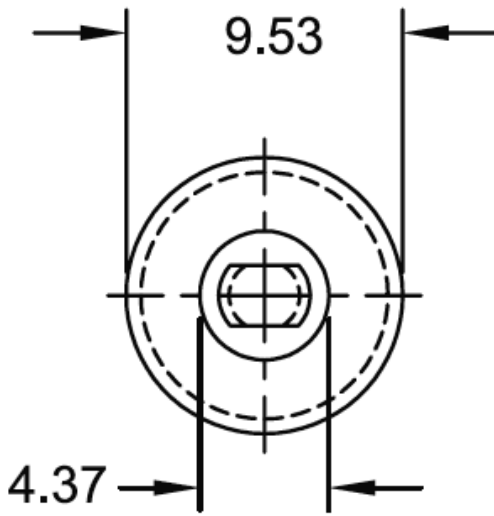
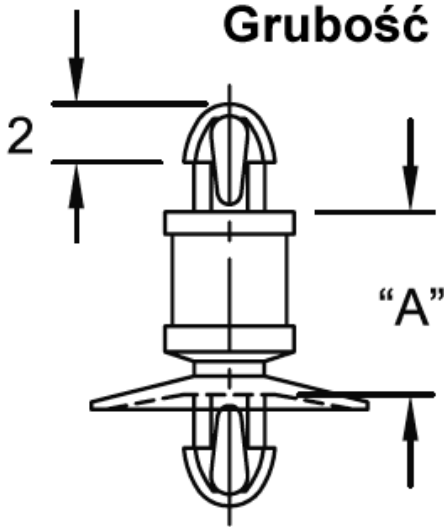


CHDLCBST - Cupped Dual Locking Circuit Board Support



Otwór górny: $\text{Ø}2.54\pm0.05$

Grubość Panelu: 1.63



Otwór dolny: $\text{Ø}2.54\pm0.05$

Grubość Panelu: 1.57

Details:

- **Material:** UL94 V-2 Nylon 6/6, RMS-01*
- **Color:** Natural
- **Standard Pack:** 1000/Bag

Symbol	Height A	Top mounting hole dia. ± 0.05	Top panel thickness	Bottom mounting hole dia. ± 0.05	Bottom panel thickness	Material	Flammability	Color
	[mm]	[mm]	[mm]	[mm]	[mm]			
CHDLCBST-4-01	6.35	2.54	1.63	2.54	1.57	PA 66	UL94 V-2	natural