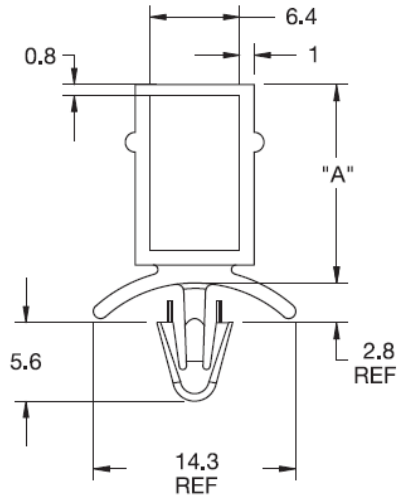


CBSS - Circuit Board Stacking Spacer



Details:

- **Material: Nylon 6/6, RMS-01***
- **Color: Natural**
- **Standard Pack: 1000/Bag**

Symbol	Height A ±0.4	Top mounting hole dia.	Bottom mounting hole dia. ±0.08	Bottom panel thickness range	Material	Flammability	Color
	[mm]	[mm]	[mm]	[mm]			
CBSS-10-19	14	4	4	0.79 - 1.98	PA 66	UL94 V-0	natural