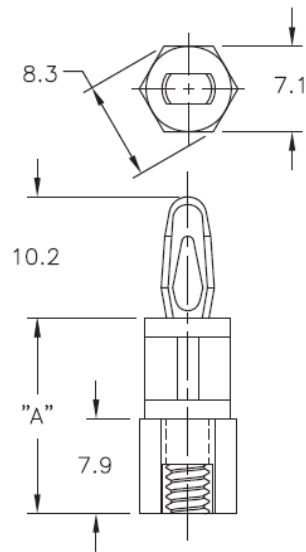


## CBS-TF - Circuit Board Support



**Details:**

- **Material: Nylon 6/6, UL 94 V-2, RMS-01\***
- **Material: Nylon 6/6, UL 94 V-0, RMS-19\***
- **Colour: natural**
- **Standard pack: 1000 pcs**

Symbol	Height A ±0.4	Top mounting hole dia. ±0.08	Top panel thickness	Int. thread	Material	Flammability	Color
	[mm]	[mm]	[mm]				
CBS-TF-M4-14-19	22.2	4	1.57	M4	PA 66	UL94 V-0	natural