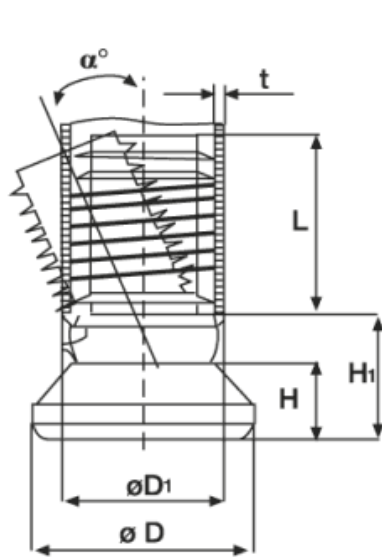


## BM-SLITEF - Heavy duty tilt glides with PTFE slide base



Details:

- **Material: Nylon + PTFE (Polytetrafluoroethylene) base**
- **Colour: black**

Symbol	Angle $\alpha$	Ext. diameter $\varnothing D$	$\varnothing D_1$	H	$H_1$	L	t	Material	Color
	[°]								
BM-SLITEF-30-22	19	30	22	-	-	24.5	1.5 - 2.0	PA	black