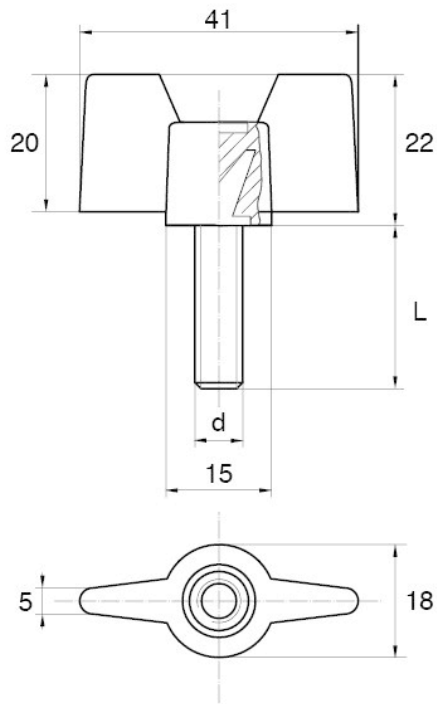


BL-SMM60 - Wing screws



Details:

- **Handle material:** Nylon
- **Stud material:** Zinc-plated steel; Stainless steel or brass available on special order
- **Handle colour:** black; other colours available on special order
- Other lengths available on special order

| Symbol | Ext. thread d | Ext. thread length L | Standard pack |
|----------------|------------------|-------------------------|---------------|
| | | [mm] | [szt./pcs] |
| BL-SMM60-M6-45 | M6 | 45 | 5000 |