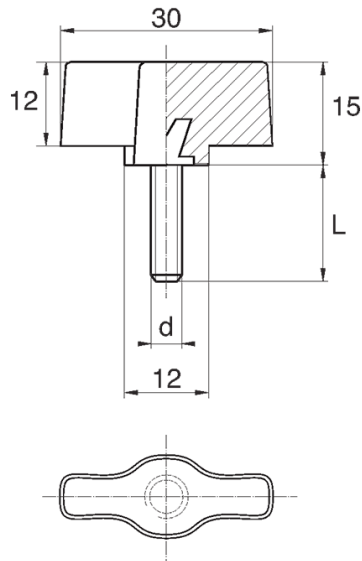


BL-SLMM150 - Wing screws



Details:

- **Handle material:** Nylon
- **Stud material:** zinc-plated steel; stainless steel or brass available on special order
- **Handle colour:** black; other colours available on special order

| Symbol | Ext. thread d | Ext. thread length L | Standard pack |
|------------------|------------------|-------------------------|---------------|
| | | [mm] | [szt./pcs] |
| BL-SLMM150-M5-16 | M5 | 16 | 5000 |