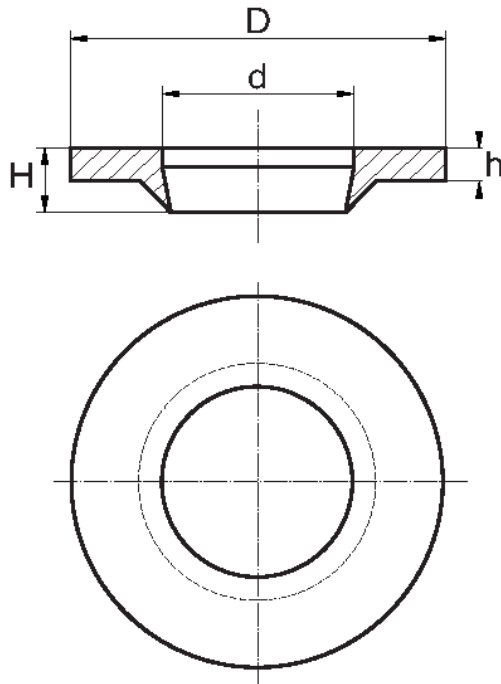


BL-PZPW-3 - Anti-loss washers



Details:

- **Material: Nylon**
- **Color: naturalny**
- Black Nylon, PE, black PE, PP, POM available on special order
- Other colours available on special order

Symbol	For thread	Int. diameter	Ext. diameter	h	Height	Material	Color	Standard pack	Notes
		d	D	[mm]	[mm]			[mm]	
BL-PZPW-3-M10	M10	10.5	15	2.1	4.3	PA	natural	1000	-