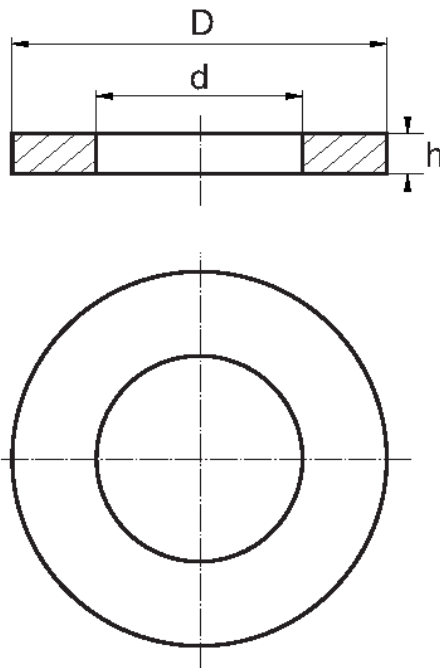


BL-PWL - Fibre washers



Details:

- **Material: vulcanized fibre**
- **Colour: red**
- Colours available on special order: black, grey
- Made from high-quality vulcanized fibre, a cellulose-based composite material, these washers combine high strength and dimensional stability with a low weight. They are temperature-resistant up to approximately 120 °C, electrically non-conductive, and therefore ideal for use as insulating components. In addition, they are resistant to oils, greases, and many solvents
- Also used in sanitation and food industry
- Other dimensions on request

Symbol	For thread	Int. diameter d	Ext. diameter D	Height h	Material	Color	Standard pack
		[mm]	[mm]	[mm]			[szt./pcs]
BL-PWL-M20-30	M20	21	37	3	vulcanized fibre	red	500