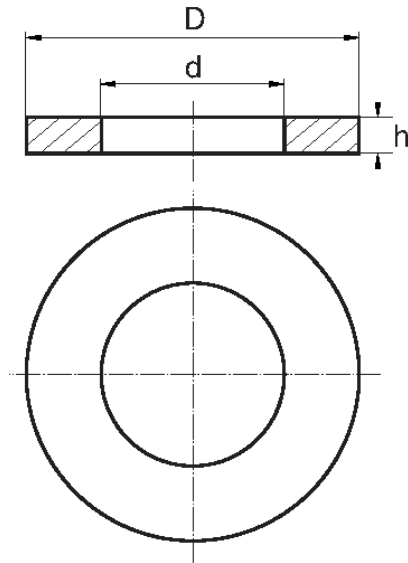


BL-PTEF - Teflon washers



Details:

- **Material: Polytetrafluoroethylene (PTFE)**
- **Flammability: UL94 V-0**
- **Colour: white**
- Low coefficient of friction
- Excellent quality of resistance to external agents
- High degree of anti-stickiness
- Resistance to low and high temperatures: from -200°C to +260°C
- Excellent dielectric properties

Symbol	For thread	Int. diameter d	Ext. diameter D	Height h	Material	Flammability	Color	Standard pack
		[mm]	[mm]	[mm]				[szt./pcs]
BL-PTEF-130-240	M12	13	24	2.5	PTFE	UL94 V-0	white	1000