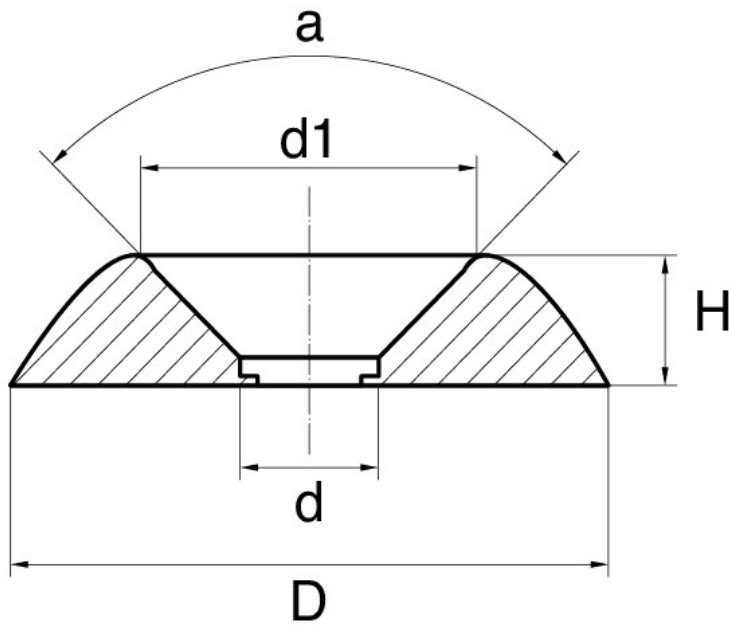


BL-PSLS3 - Conical finishing washers for countersunk screws



Details:

- **Material: Nylon**
- **Colour: white**
- **Colour black available on special order**
- Standard pack: 1000 pcs

Symbol	For thread	Int. diameter	d1	Ext. diameter	Height	a	Material	Color
		d	[mm]	[mm]	[mm]	[mm]		
BL-PSLS3-M6-BLK	M6	6.4	13	22	4.5	90	PA	black