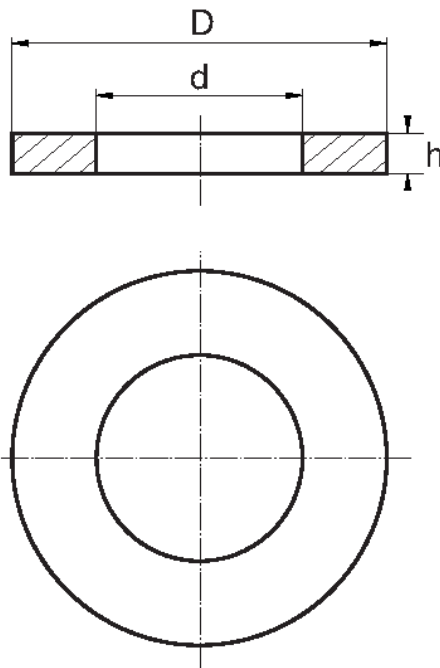


**BL-PPN - Nylon flat washers**



**Details:**

- **Material: Nylon**
- **Colour: natural**
- Flammability: UL94 V-2
- Materials available on special order: PE, PP, PS, POM, PTFE
- Other colours available on special order
- Other dimensions available on special order
- These nylon flat washers protect surfaces and offer good electrical insulation
- Resists corrosion and most dilute acids
- Absorbs shocks and vibrations

Symbol	For thread DIN 125	Int. diameter d	Ext. diameter D	Height h	Material	Flammability	Color	Standard pack
		[mm]	[mm]	[mm]				[szt./pcs]
BL-PPN-028-070-010	-	2.8	7	1	PA	UL94 V-2	natural	1000