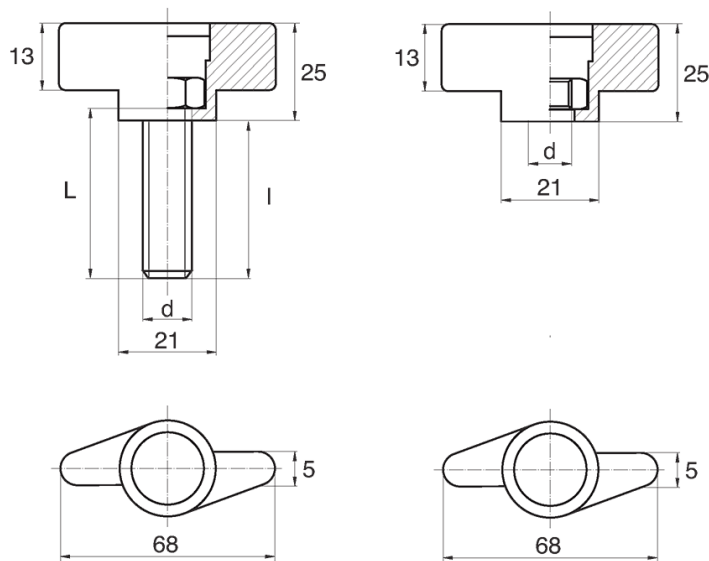


BL-POK258 - Wing grips



Details:

- **Handle material:** Nylon
- **Handle colour:** black; other colours available on special order
- Thread material: see table; For type M stainless steel, brass and aluminium available on special order
- Type:
 - F - female
 - M - male
- Standard pack: 100 pcs

| Symbol | Type | Ext. thread d | Int. thread d | Thread material | L | l ±1mm | Material | Color |
|------------------|------|------------------|------------------|-------------------|------|--------|----------|-------|
| | | | | | [mm] | [mm] | | |
| BL-POK258M-M8-60 | M | - | M8 | zinc-plated steel | 60 | 55 | PA | black |