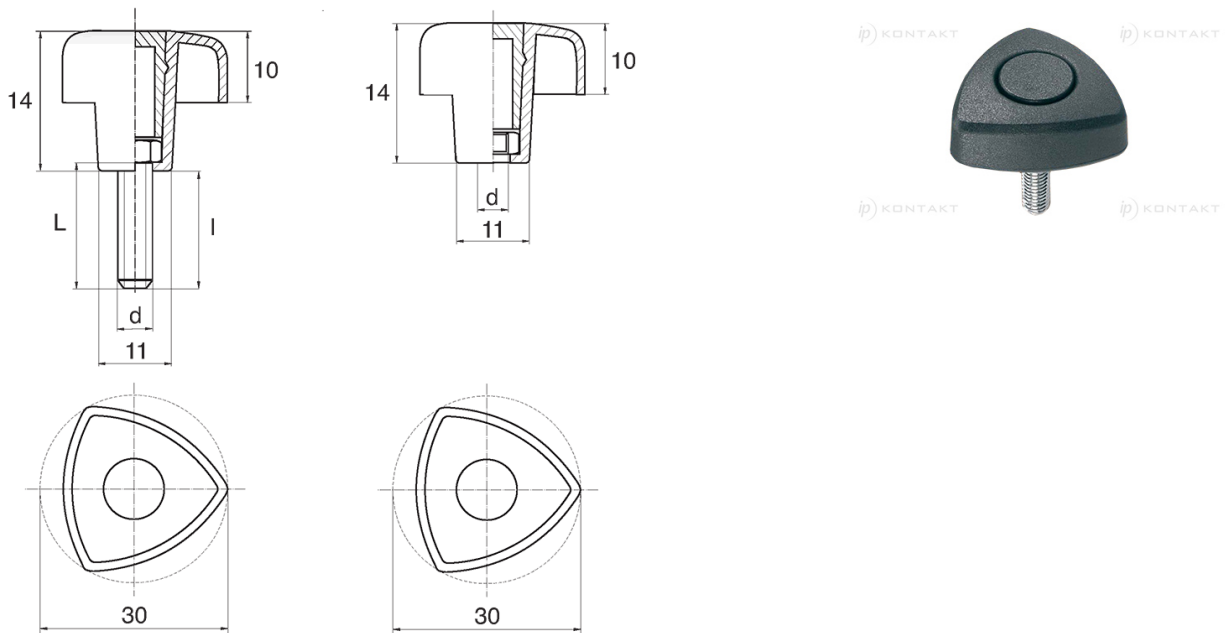


BL-POK195 - Triangular handwheels



Details:

- **Handle material:** Nylon
- **Handle colour:** black; other colours available on special order
- **Thread material:** see table; For type M stainless steel and brass available on special order
- **Type:**
 - F - female
 - M - male
- **Standard pack:** 100 pcs

| Symbol | Type | Ext. thread d | Int. thread d | Thread material | L | l ±1mm | Material | Color |
|------------------|------|------------------|------------------|-------------------|------|--------|----------|-------|
| | | | | | [mm] | [mm] | | |
| BL-POK195M-M6-10 | M | M6 | - | zinc-plated steel | 10 | 7 | PA | black |