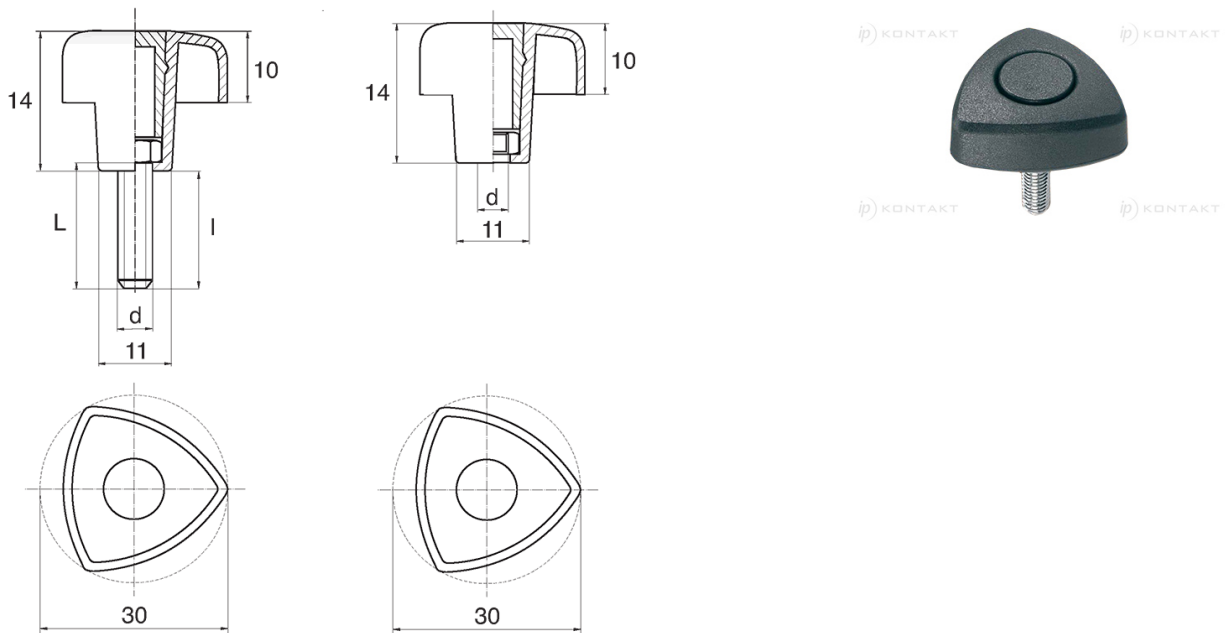


BL-POK195 - Triangular handwheels



Details:

- **Handle material: Nylon**
- **Handle colour: black**; other colours available on special order
- Thread material: see table; For type M stainless steel and brass available on special order
- Type:
 - F - female
 - M - male
- Standard pack: 100 pcs

| Symbol | Type | Ext. thread d | Int. thread d | Thread material | L | l ±1mm | Material | Color |
|-----------------|------|------------------|------------------|-----------------|------|--------|----------|-------|
| | | | | | [mm] | [mm] | | |
| BL-POK195F-M5-2 | F | - | M5 | stainless steel | - | - | PA | black |