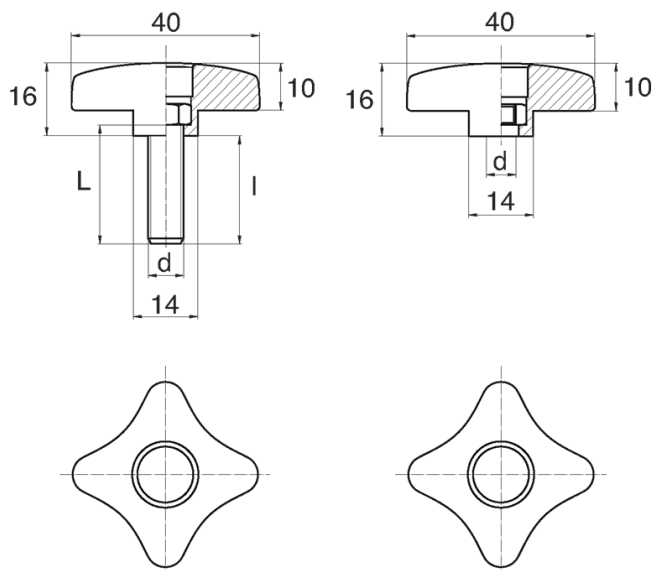


BL-POK185 - Four-point star grip



Details:

- **Handle material:** Nylon
- **Handle colour:** black; other colours available on special order
- Thread material: see table; For type M stainless steel and brass available on special order
- Type:
 - F - female
 - M - male
- Standard pack: 100 pcs

| Symbol | Type | Ext. thread d | Int. thread d | Thread material | L | l ±1mm | Cap | Material | Color |
|------------------|------|------------------|------------------|-------------------|------|--------|-----|----------|-------|
| | | | | | [mm] | [mm] | | | |
| BL-POK185M-M6-40 | M | M6 | - | zinc-plated steel | 40 | 37 | No | PA | black |