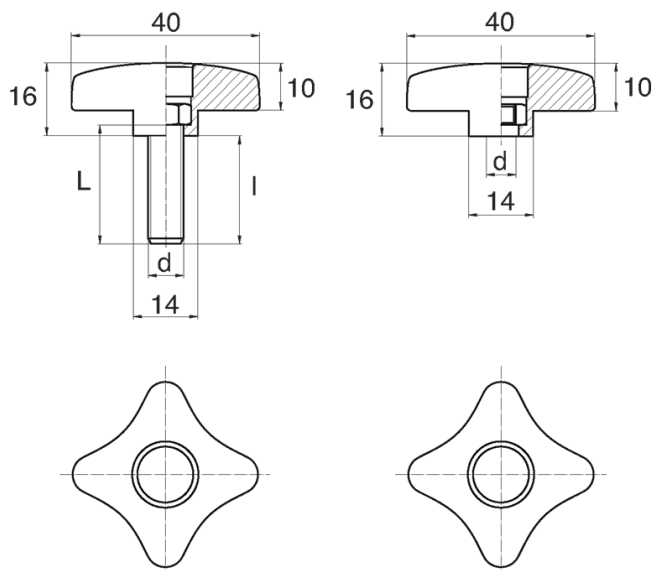


BL-POK185 - Four-point star grip



Details:

- **Handle material:** Nylon
- **Handle colour:** black; other colours available on special order
- **Thread material:** see table; For type M stainless steel and brass available on special order
- **Type:**
 - F - female
 - M - male
- **Standard pack:** 100 pcs

Symbol	Type	Ext. thread d	Int. thread d	Thread material	L	l ±1mm	Cap	Material	Color
					[mm]	[mm]			
BL-POK185M-M5-10-P	M	M5	-	zinc-plated steel	10	7.5	Yes	PA	black