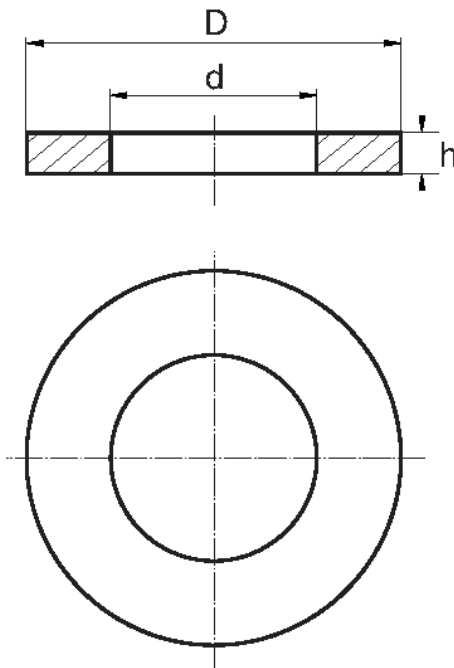


## BL-PNE - Neoprene washers



### Details:

- **Material: Neoprene (CR)**
- **Colour: black**
- Resistant to tensile strength 6MPa.
- Tensile elongation from 200 to 300% according to the type of hardness
- Good resistance to ozone
- Hardness between 45 and 65 Shore for the standard washer
- Other dimensions available on special order
- Materials available on special order:
  - Black Neoprene (hardness 80+/-5 Shore)
  - Light Neoprene (hardness 60+/-5 Shore)

Symbol	For thread	Int. diameter d	Ext. diameter D	Height h	Material	Color	Standard pack
		[mm]	[mm]	[mm]			[szt./pcs]
BL-PNE-M18	M18	19	34	3	CR	black	1000