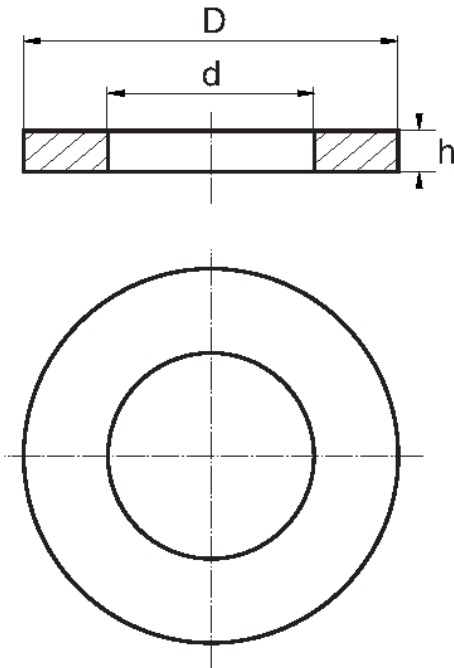


BL-PMU - Nylon washers



Details:

- **Material: Nylon**
- **Colour: natural**
- Flammability: UL94 V-2
- The DIN / NFE norm has been created for metallic products, the dimensions of plastic products are close
- Washers **NFE 25-513**, old french norm **NFE 27611**
- These washers protect surfaces and offer good electrical insulation
- Resists corrosion and most dilute acids
- Absorbs shocks and vibrations
- Materials available on special order: PE, PP, POM
- Other colours available on special order

Symbol	For thread	Int. diameter d	Ext. diameter D	Height h	Material	Flammability	Color	Standard pack
		[mm]	[mm]	[mm]				[szt./pcs]
BL-PMU-M2	M2	2.2	5	0.3	PA	UL94 V-2	natural	1000