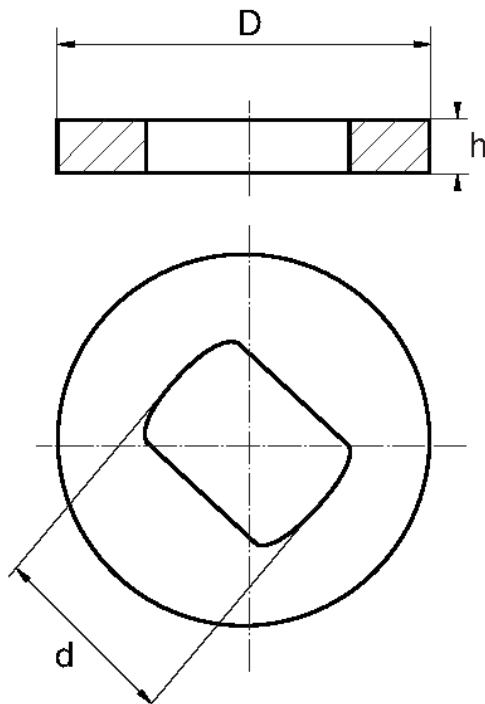


BL-PHAM - Brake washers



Details:

- **Material: Nylon**
- **Colour: natural**
- Black available on special order
- POM, PP, PE materials available on special order
- M4 washers interior shape is different from the one shown on the drawing and the photo
- M5 washers available only while stocks last

Symbol	For thread	Int. diameter d	Ext. diameter D	Height h	Material	Color	Standard pack
		[mm]	[mm]	[mm]			[szt./pcs]
BL-PHAM-M4-1	M4	3.4	10	0.5	PA	natural	1000