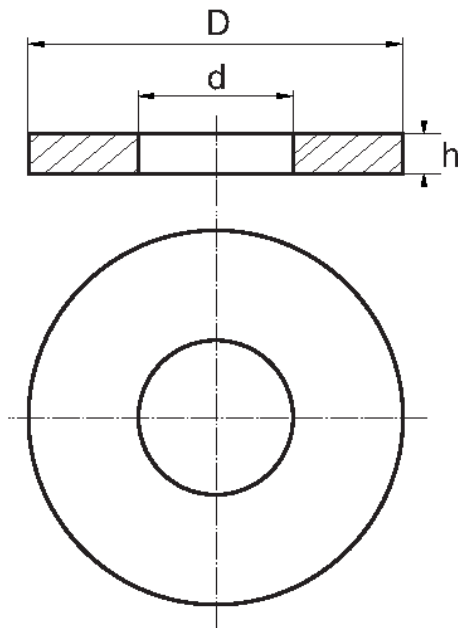


BL-PDIN9021 - Plastic washers DIN 9021



Details:

- **Material: Nylon**
- **Colour: natural**
- Materials available on special order: PE, PP, POM, PVDF, PTFE, Nylon glass filled
- Other colours available on special order
- The DIN norm has been created for metallic products, the dimensions of plastic products are close to the norm
- Nylon washers protect surfaces and offer good electrical insulation
- Washers resist corrosion and most dilute acids
- Absorbs vibrations, corrosion resistant, protection against electrolytic action and protection of the surface of materials to be assembled.

Symbol	For thread	Int. diameter d	Ext. diameter D	Height h	Material	Color	Standard pack
		[mm]	[mm]	[mm]			[szt./pcs]
BL-PDIN9021-M20-600-40	M20	22	60	4	PA	natural	500