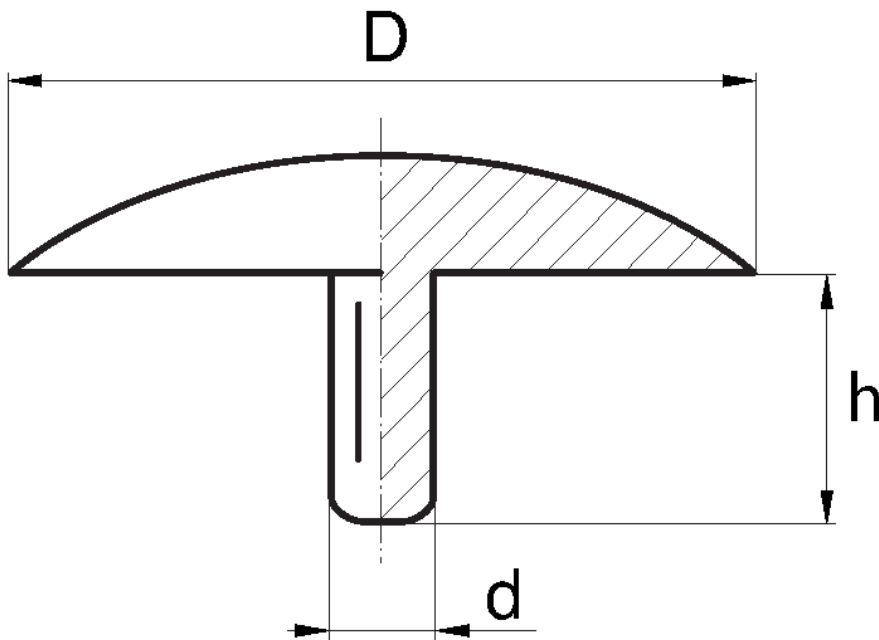


BL-OSI - Allen socket screw caps



Details:

- **Material: LLDPE**
- **Colour: black, white**
- Protects from dirt
- Protects metallic screws from corrosion and deterioration
- Resists weather conditions and most chemicals
- Depending on the mould, the surface of the part can be smooth or dull

Symbol	Diameter d	Head diameter D	h	Material	Color
	[mm]	[mm]	[mm]		
BL-OSI-28-110-48-BK	2.8	11	4.8	LLDPE	black