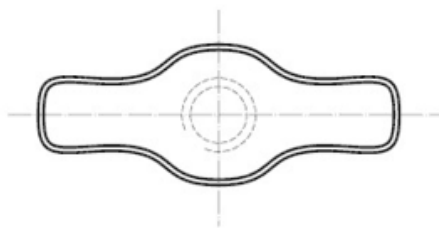
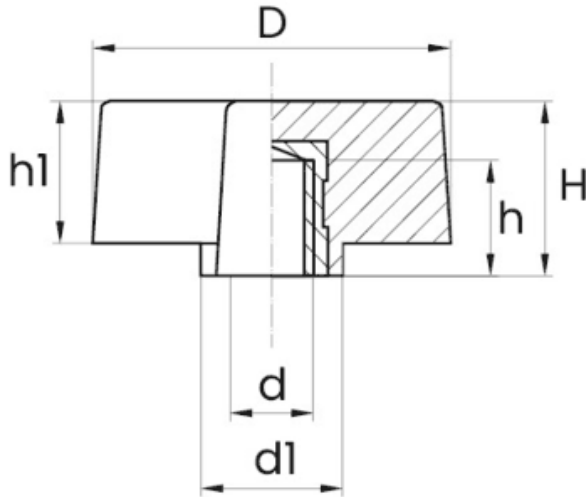


**BL-NMM150 - Wing nuts**



Details:

- **Handle material:** Nylon
- **Thread material:** brass; stainless steel available on special order
- **Handle colour:** black; other colours available on special order
- Standard pack: 5000 pcs

Symbol	Int. thread d	d1	D	Int. thread length h	h1	H
		[mm]	[mm]	[mm]	[mm]	[mm]
BL-NMM150-F-M5	M5	12	30	7.5	12.5	15