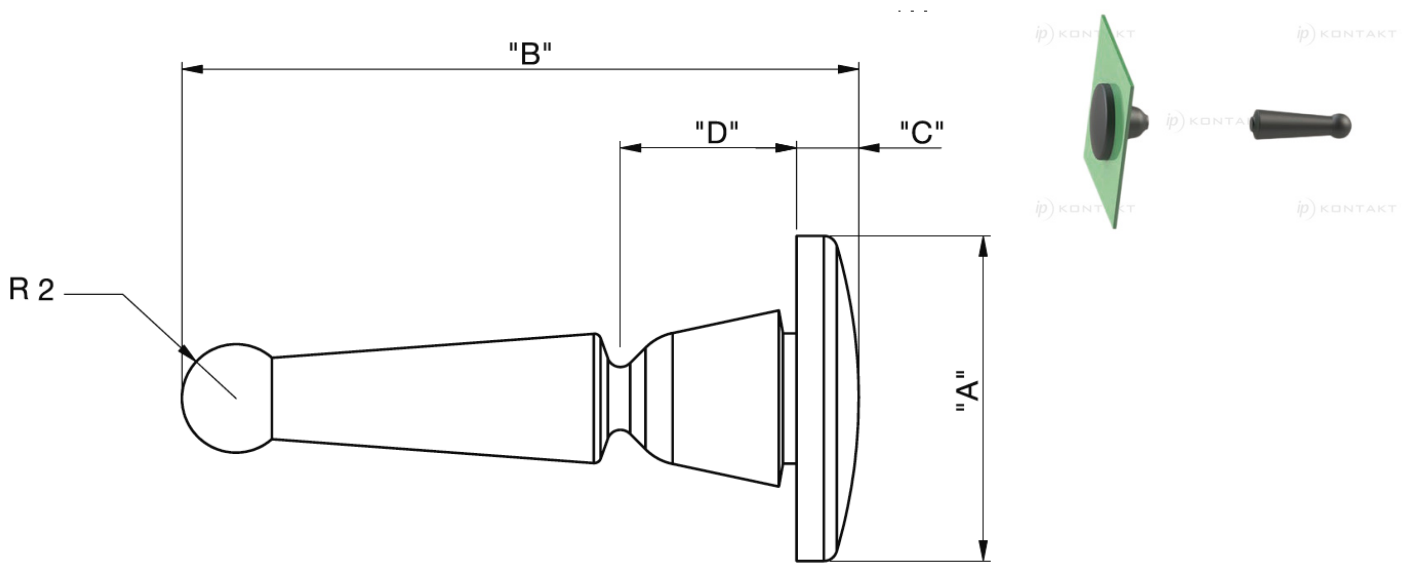


BAB - Break-Away Bumper



Details:

- **Material: Silicone Rubber, 40 Shore A, RMS-316***
- **Material: Silicone Rubber, 50 Shore A, RMS-364***
- **Color: Black**
- **Standard Pack: 1000/Bag**

Symbol	A	B	C	D	Panel thickness range	Mounting hole diameter range	Material	Flammability	Shore A hardness	Color
	[mm]	[mm]	[mm]	[mm]	[mm]	[mm]				
BAB-3	10	20	2	4.3	0.5	4.7 - 5	silicone rubber	-	50	black