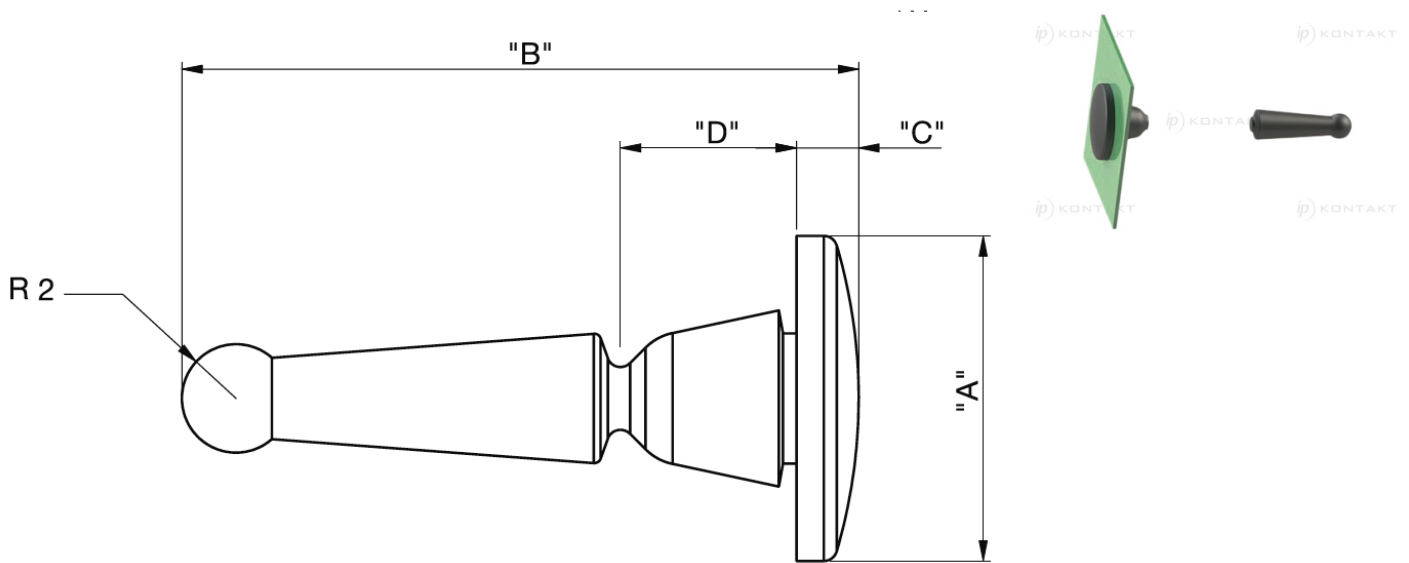


BAB - Break-Away Bumper



Details:

- **Material: Silicone Rubber, 40 Shore A, RMS-316***
- **Material: Silicone Rubber, 50 Shore A, RMS-364***
- **Color: Black**
- **Standard Pack: 1000/Bag**

| Symbol | A | B | C | D | Panel thickness range | Mounting hole diameter range | Material | Flammability | Shore A hardness | Color |
|--------|------|------|------|------|-----------------------|------------------------------|-----------------|--------------|------------------|-------|
| | [mm] | [mm] | [mm] | [mm] | [mm] | [mm] | | | | |
| BAB-2 | 12 | 25 | 2.3 | 6.5 | 0.6 - 0.8 | 5 - 5.4 | silicone rubber | - | 50 | black |