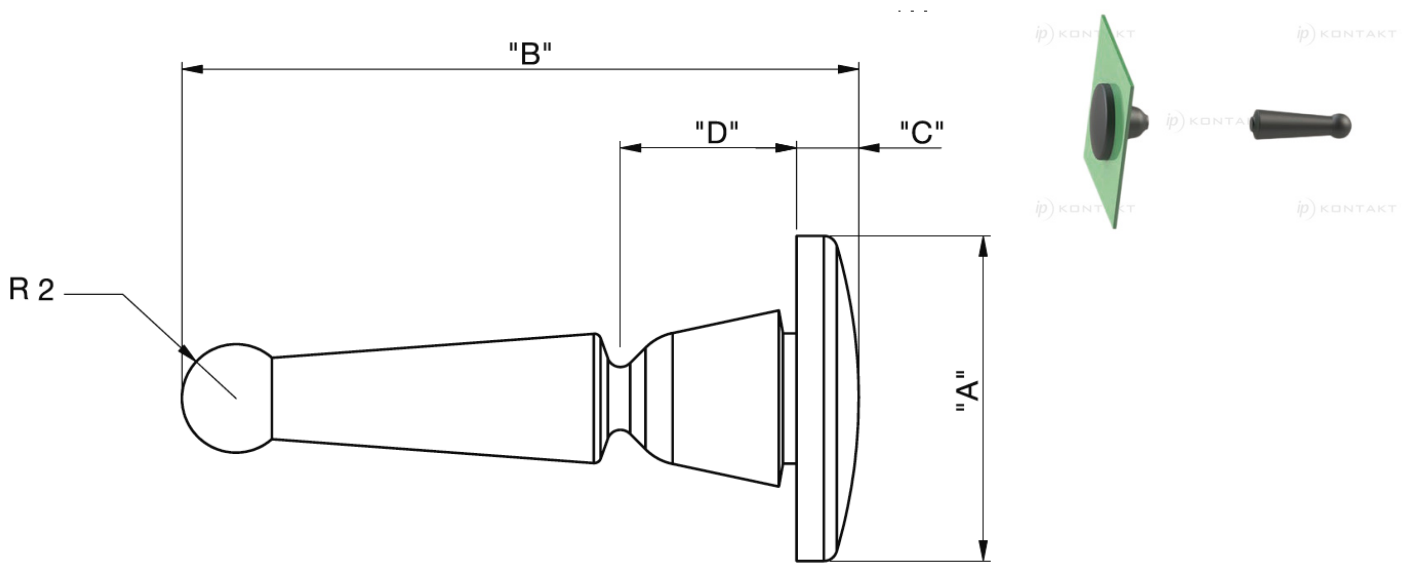


BAB - Break-Away Bumper



Details:

- **Material: Silicone Rubber, 40 Shore A, RMS-316***
- **Material: Silicone Rubber, 50 Shore A, RMS-364***
- **Color: Black**
- **Standard Pack: 1000/Bag**

Symbol	A	B	C	D	Panel thickness range	Mounting hole diameter range	Material	Flammability	Shore A hardness	Color
	[mm]	[mm]	[mm]	[mm]	[mm]	[mm]				
BAB-1	12	25	2.3	6.5	0.6 - 0.8	5 - 5.4	silicone rubber	UL94 HB	40	black