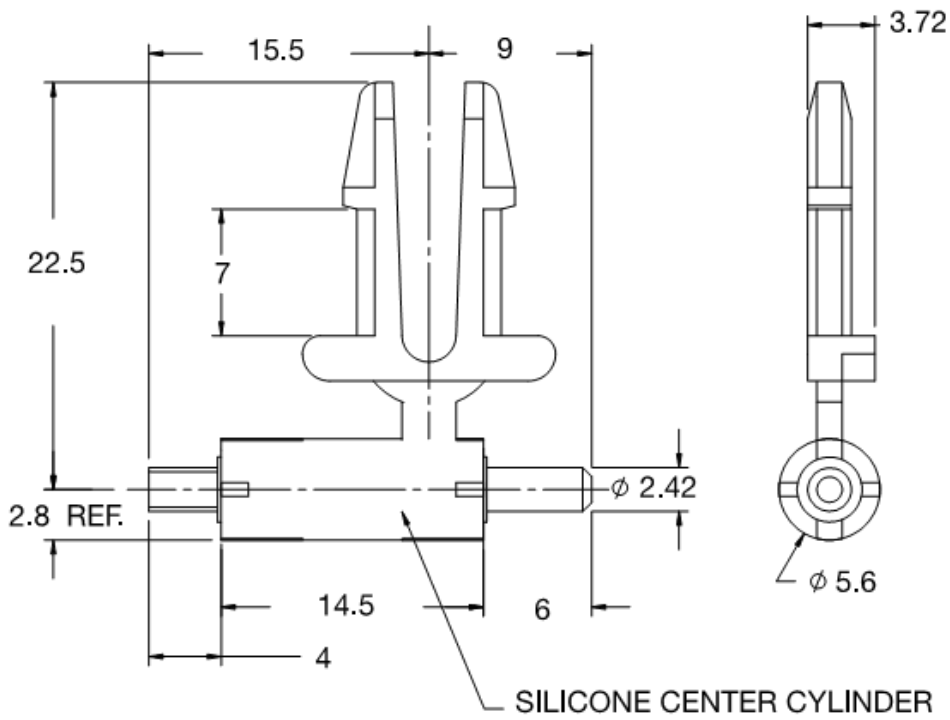


AS - Axis Spring



Details:

- **Material: Ends: UL94 V2 Nylon 6/6, RMS-406* Color: Black**
- **Material: Center: Silicone Rubber, RMS-407* Color: Clear**
- **Standard Pack: 100/Bag**

Symbol	Torque	Max. rotation	Material	Flammability	Color
AS-1	0.4 (gf* cm)/°	±180°	PA 66	UL94 V-2	black