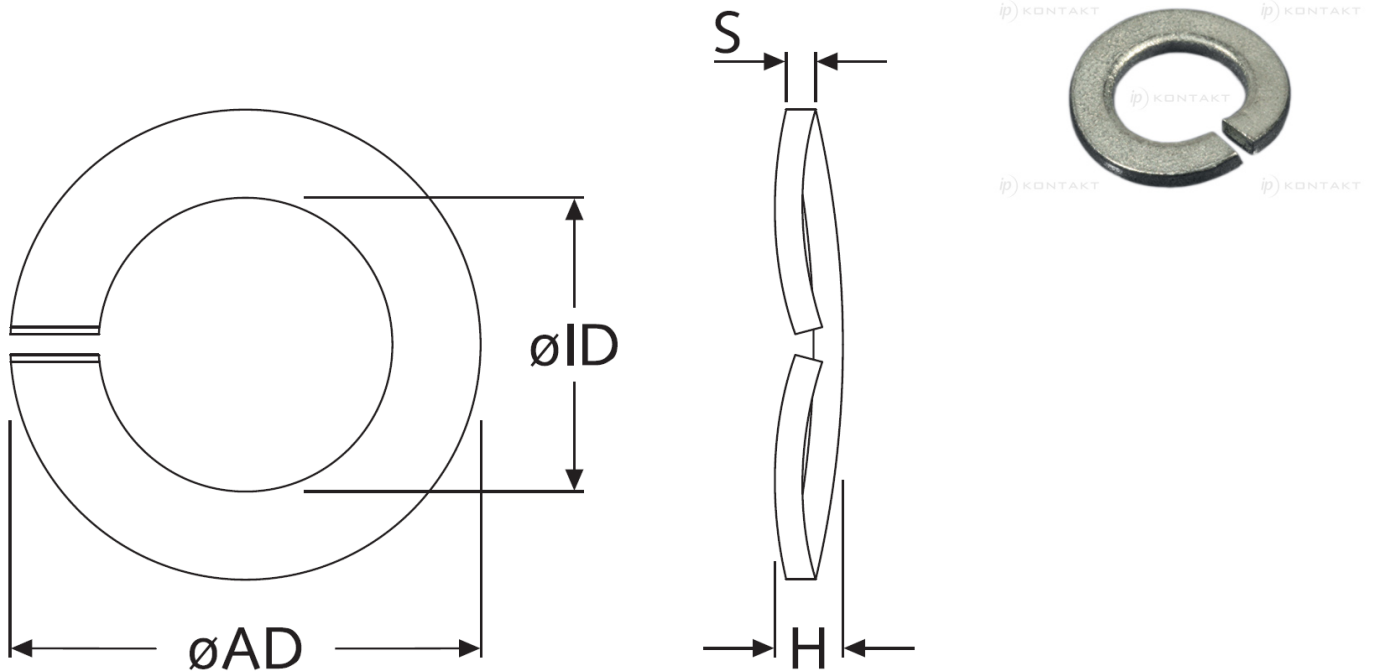


**AR-POS128A - Metalowe podkładki sprężynujące**



Details:

- Material: see table

Symbol	For thread	Int. diameter $\varnothing ID$	Ext. diameter $\varnothing AD$	Height H max.	S	Material
		[mm]	[mm]	[mm]	[mm]	
AR-POS128A-21296	M6	6.1	11.8	2.2	1.3	stainless steel A2