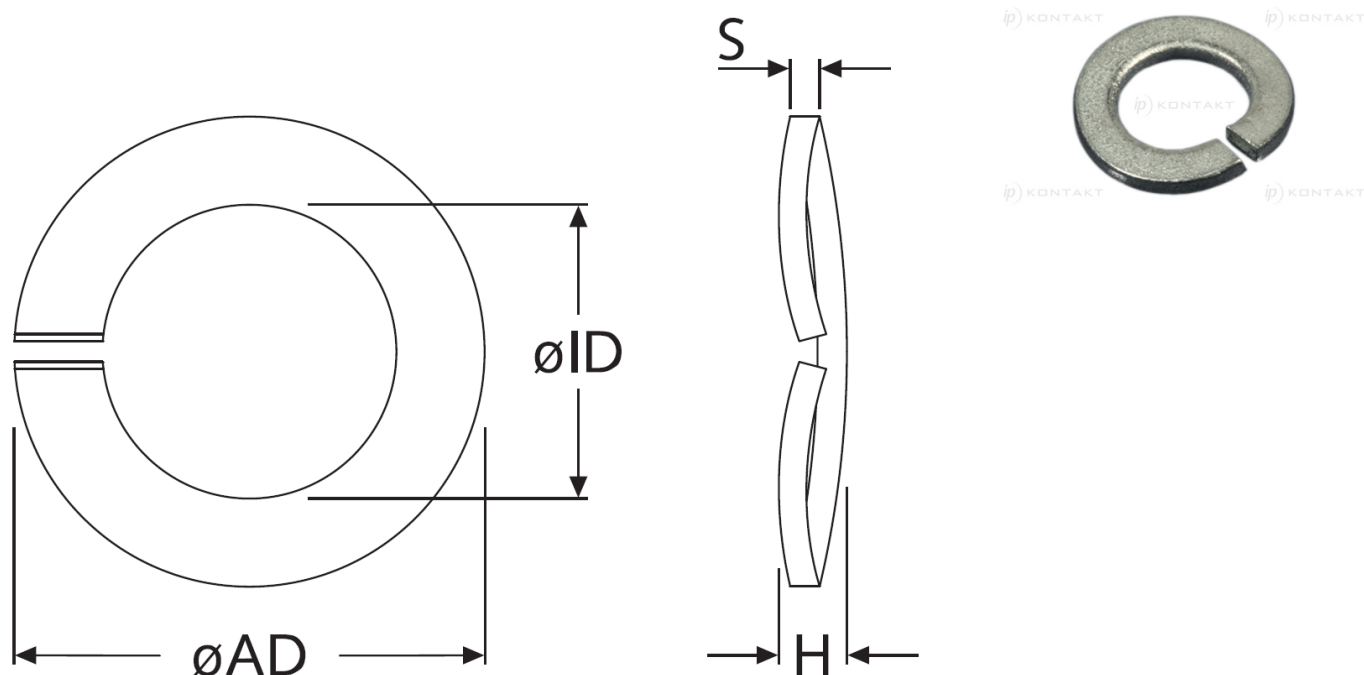


AR-POS128A - Metalowe podkładki sprężynujące



Details:

- Material: see table

Symbol	For thread	Int. diameter ØID	Ext. diameter ØAD	Height H max.	S	Material
		[mm]	[mm]	[mm]	[mm]	
AR-POS128A-21295	M5	5.1	9.2	1.7	1	stainless steel A2