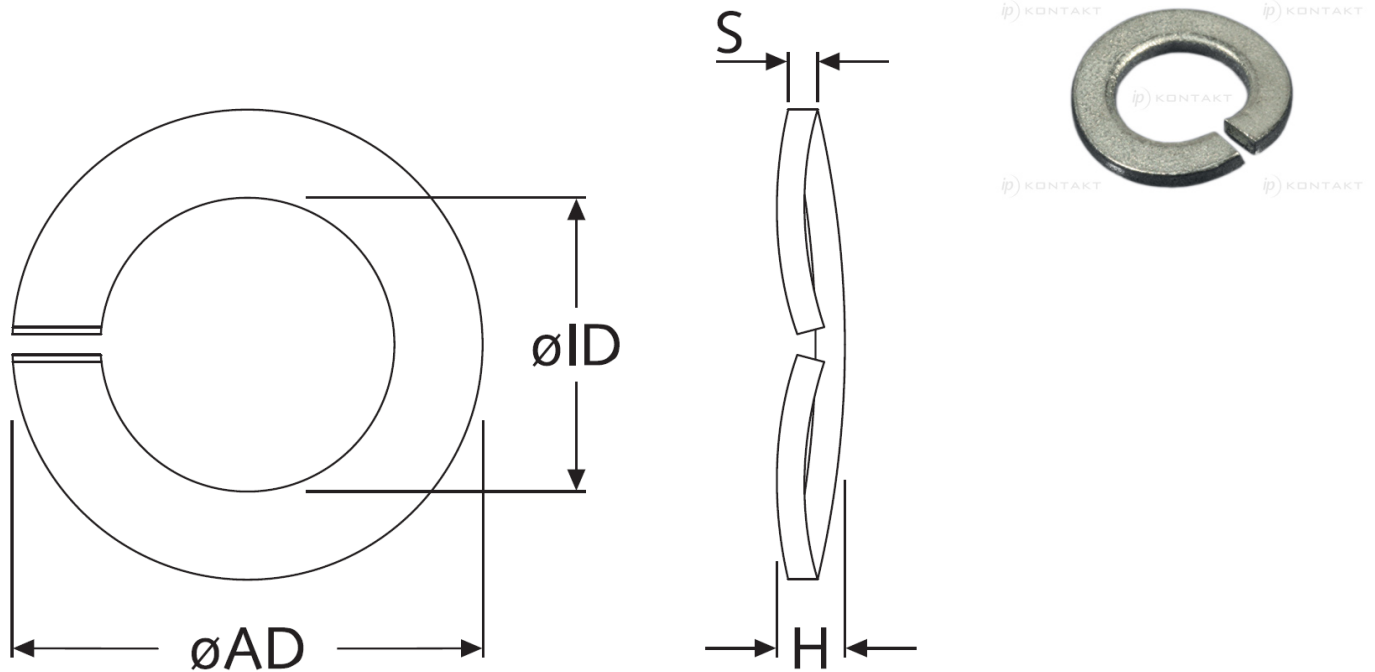


**AR-POS128A - Metalowe podkładki sprężynujące**



**Details:**

- Material: see table

Symbol	For thread	Int. diameter øID	Ext. diameter øAD	Height H max.	S	Material
		[mm]	[mm]	[mm]	[mm]	
AR-POS128A-21292	M2.5	2.6	5.1	1.1	0.6	stainless steel A2