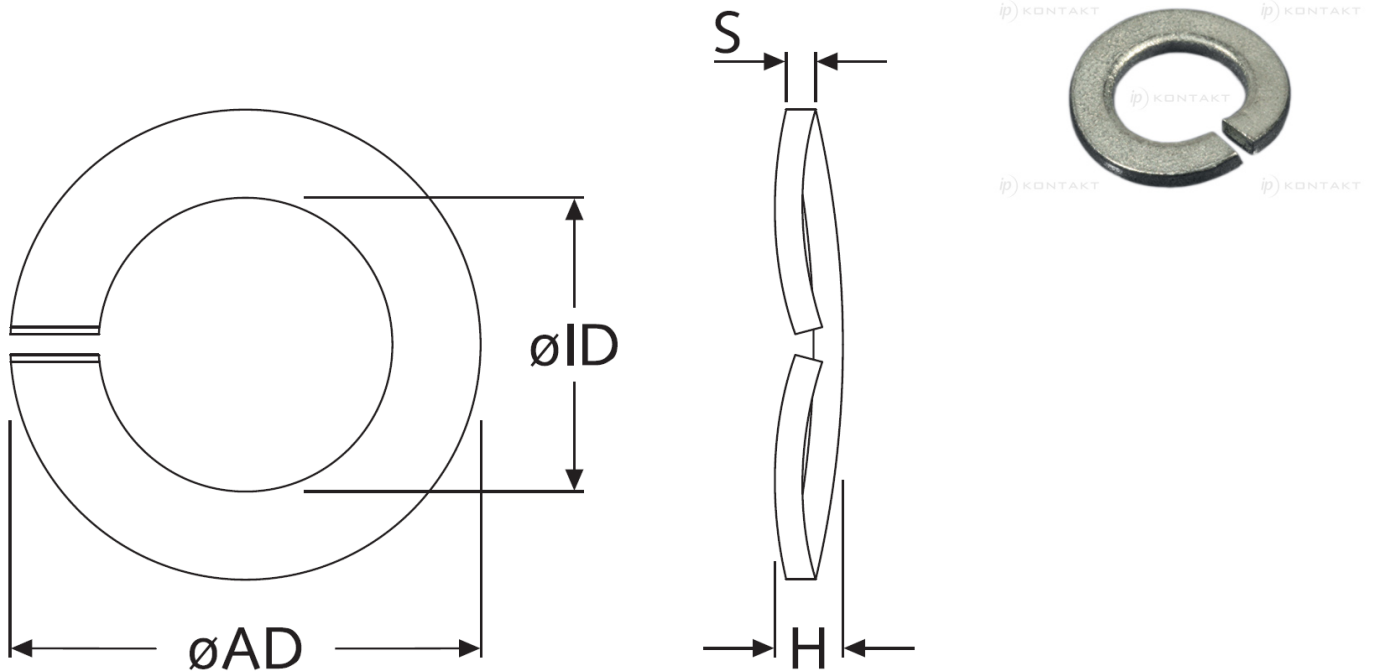


AR-POS128A - Metalowe podkładki sprężynujące



Details:

- Material: see table

Symbol	For thread	Int. diameter $\varnothing ID$	Ext. diameter $\varnothing AD$	Height H max.	S	Material
		[mm]	[mm]	[mm]	[mm]	
AR-POS128A-21291	M2	2.1	4.4	0.9	0.5	stainless steel A2