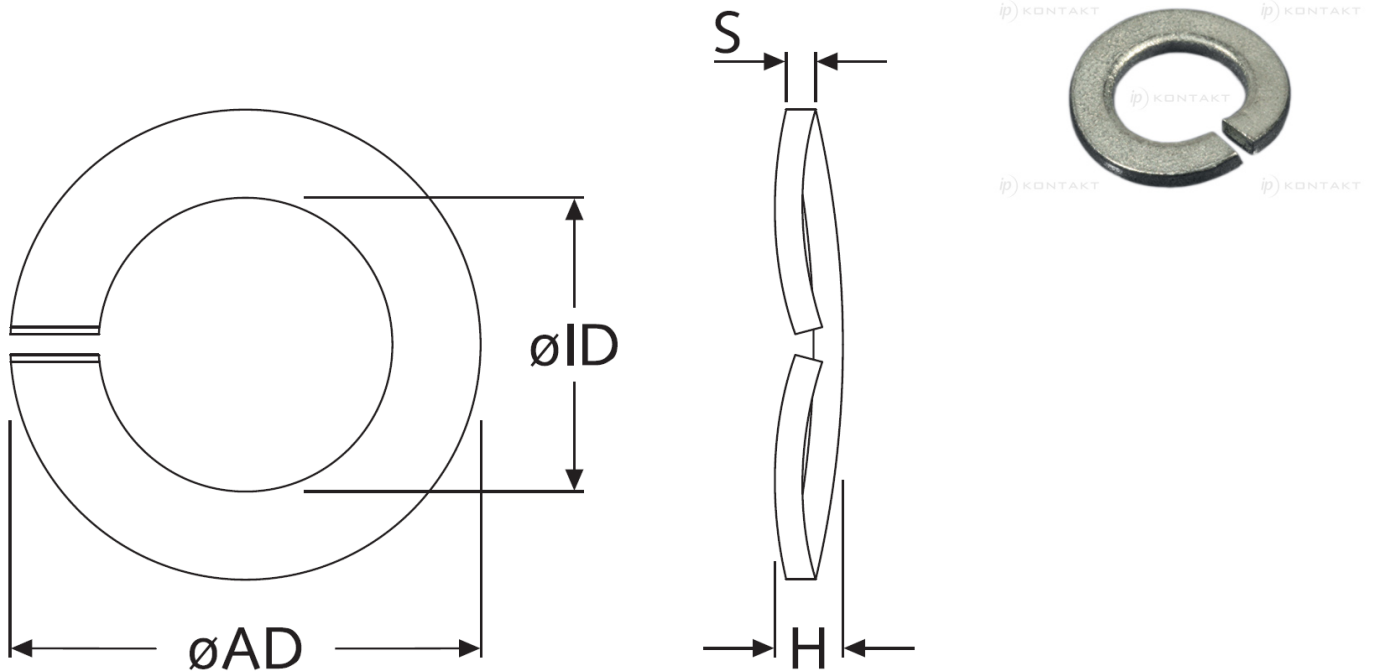


AR-POS128A - Metalowe podkładki sprężynujące



Details:

- Material: see table

Symbol	For thread	Int. diameter ØID	Ext. diameter ØAD	Height H max.	S	Material
		[mm]	[mm]	[mm]	[mm]	
AR-POS128A-21290	M10	10.2	18.1	3.2	1.8	zinc-plated steel